



# ***EC254 NT***

## ***Modular Belt Series***

- **Meat (Beef and Pork) Applications**

*Elevator*

- **Poultry Applications**

*Elevator, Freezing Lines*

- **Seafood Applications**

*Control Tables, Glazing*

- **Fruits and Vegetables**

*Including Elevator*

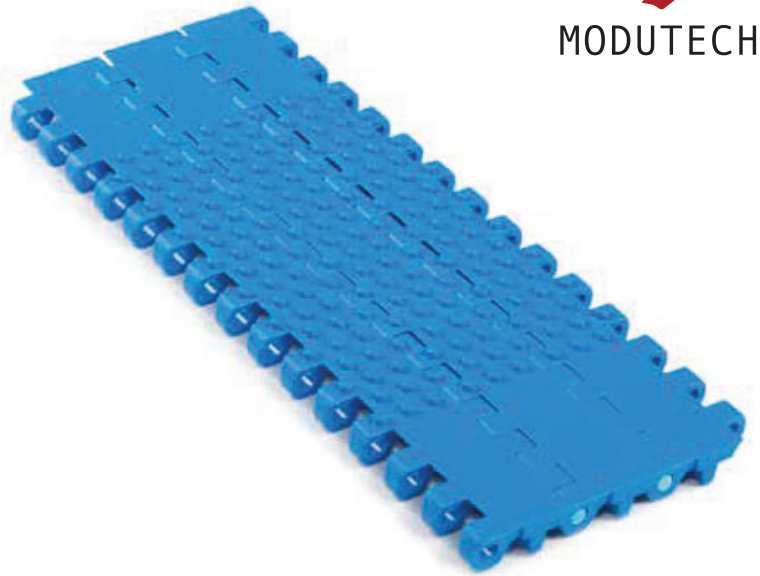


**BELTSERVICE**  
CORPORATION

314-344-8500 | 800-727-2358

# EC254 NT

Pitch:	25.4 mm
Belt Surface:	Closed, Nub Top Surface
Minimum Width:	152.4 mm
Open Area (%):	%0.
Flight:	Yes ( T25, T50, T75, T100 )
Sidewall:	Yes ( h=25 mm, h=50 mm )
Rod:	Ø5 mm - Self Lock
Approved:	FDA and EU
Curve:	No
Color:	Additional colors available
Cleanability:	Excellent
Belt Thickness:	10 mm



## Product Features and Functional Benefits

- Easy to clean reduces downtime for cleaning time %70.
- Reduces bacteria growth.
- Non-adhesive due to reduced contact surface.
- Close transfer applications.

## Available Moulded Module Sizes

- 152.4 mm module

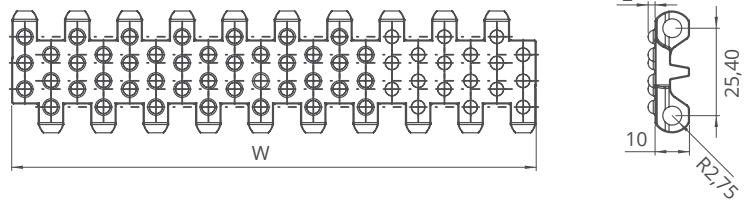
## EC254 NT / Technical Information

BELT MATERIAL	BELT STRENGTH				TEMPERATURE		BELT WEIGHT Kg/m <sup>2</sup>
	Straight		Curve		C (min.)	C (max.)	
	Kg/m	N/m	Kg/m	N/m			
Polypropylene	1170	11700	-	-	+5	+90	4.50
Polyethylene	1050	10500	-	-	-73	+66	5.00
Acetal	1465	14650	-	-	-43	+110	6.60

- Belt strength and temperature values are maximum on the table.

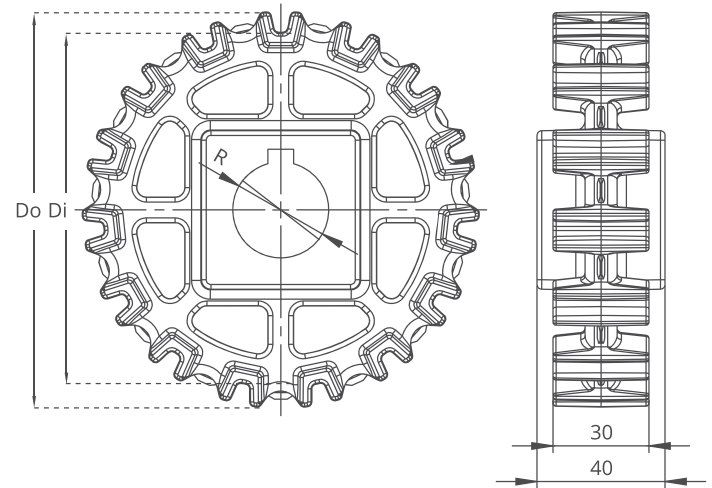
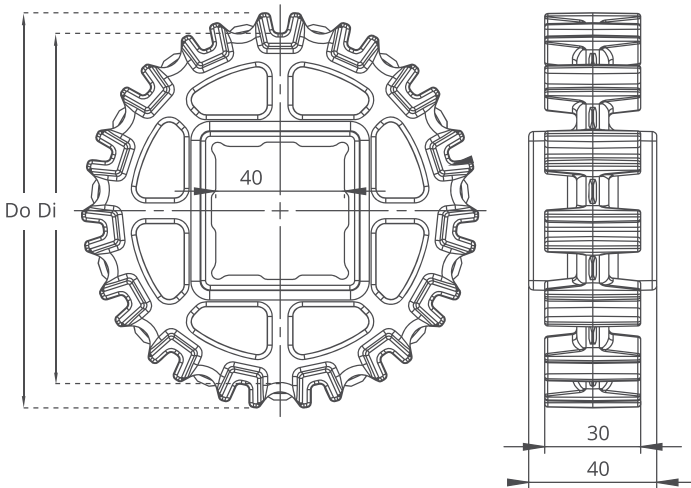
## EC254 NT / Standard Belt Widths

BELT SERIES	WIDTH (W)				Belt With Tolerance (max.)
	PP-PE		POM		
	mm	inch	mm	inch	
EC254	152,4	6"	152,4	6"	± 0,5 mm
EC254	228,6	9"	228,6	9"	± 2 mm
EC254	304,8	12"	304,8	12"	± 2 mm
EC254	381	15"	381	15"	± 3 mm
EC254	457,2	18"	457,2	18"	± 3 mm
EC254	533,4	21"	533,4	21"	± 3 mm
EC254	609,6	24"	609,6	24"	± 3 mm
EC254	685,8	27"	685,8	27"	± 4 mm
EC254	762	30"	762	30"	± 4 mm
EC254	838,2	33"	838,2	33"	± 4 mm
EC254	914,4	36"	914,4	36"	± 4 mm
EC254	990,6	39"	990,6	39"	± 4 mm
EC254	1066,8	42"	1066,8	42"	± 4 mm
EC254	1143	45"	1143	45"	± 4 mm



- Standard belt increments 76.2 mm.
- Non standard belt increments 15 mm.
- Please contact with customer service for precise belt measurements.

# EC254 Series Sprockets and Technical Specifications



## EC254 Series / Standard Sprockets Dimensions

NO. TEETH	Di	Do	B	A	Square Bore (Q)	Round Bore (R)	PRODUCT CODE	
							Square Type (Q)	Round Type (R)
Z8	51,6	64,6	30,0	40,0 mm	25,0 mm	25,0 / 30,0	EC254SQZ8*PA	EC254SRZ8*PA
Z10	68,8	81,8	30,0	40,0 mm	40,0 mm	25,0 / 30,0	EC254SQZ10*PA	EC254SRZ10*PA
Z12	85,5	98,8	30,0	40,0 mm	40,0 mm	25,0 / 30,0	EC254SQZ12*PA	EC254SRZ12*PA
Z15	111,1	124,1	30,0	40,0 mm	40,0 mm	25,0 / 30,0	EC254SQZ15*PA	EC254SRZ15*PA
Z18	136,1	149,1	30,0	40,0 mm	40,0 mm	25,0 / 30,0	EC254SQZ18*PA	EC254SRZ18*PA

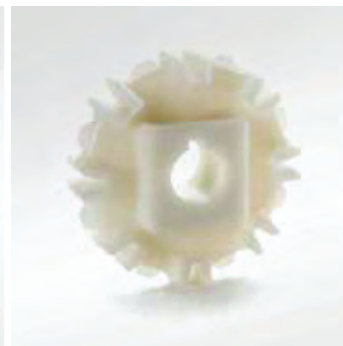
\*Other sprockets and hub sizes are manufactured up to request. \*POM (Acetal) and PP (Polypropylene) sprockets raw material is available on request.



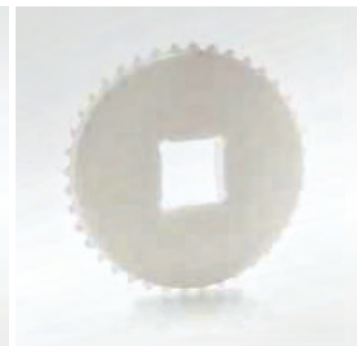
Clamb



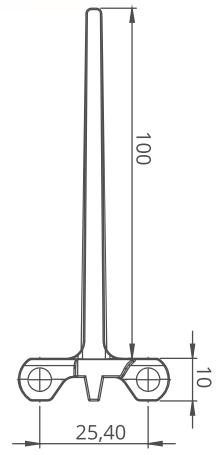
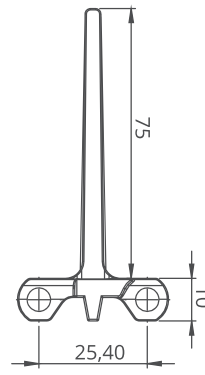
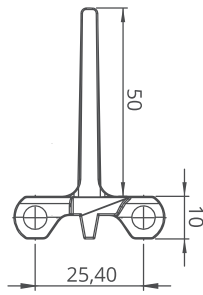
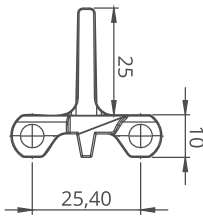
Machined Split Sprocket



Moulded Sprocket



Machined Sprocket

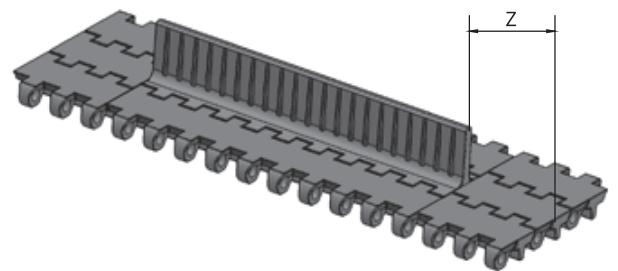


\* Additional flight dimensions are available up to 100 mm.

## EC254 Series / Flight Technical Specifications

Possible Flight Indets for 25,4 mm Series	Z	
	(mm)	(inch)
Standart, no module cutting	15	0,59
Standart, no module cutting	30	1,18
Standart, no module cutting	45	1,77
Standart, no module cutting	60	2,36
Standart, no module cutting	75	2,95

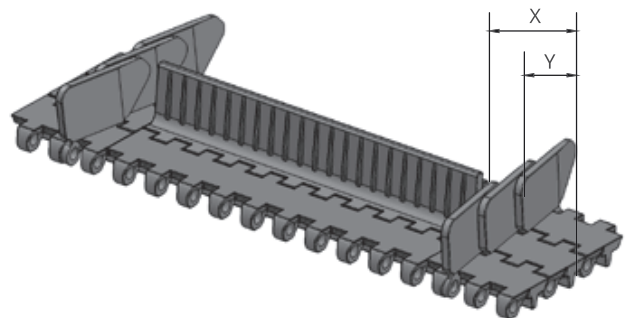
\*Non-standard flight indent is on request.



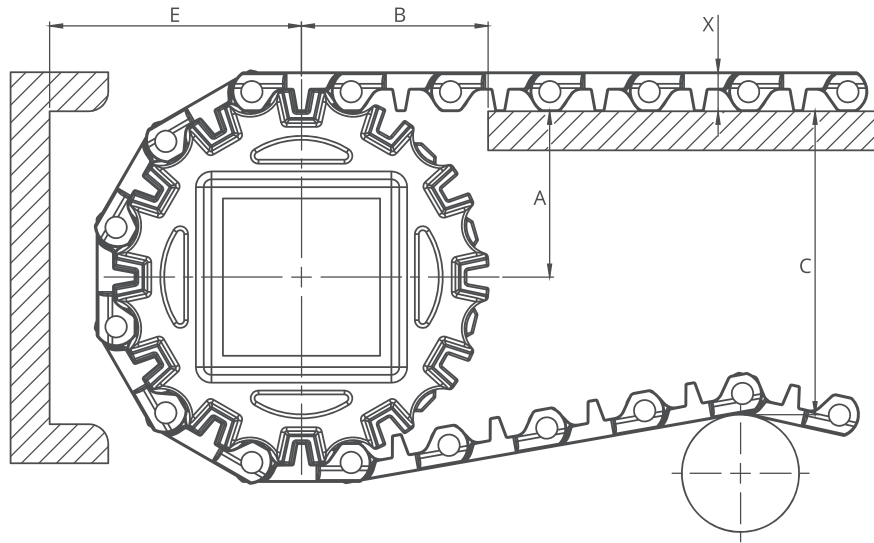
## EC254 Series / Sidewall Technical Specifications

Possible Sidewall and Flight Indets	X		Y	
	(mm)	(inch)	(mm)	(inch)
Standart, no module cutting	24	0,94	15	0,59
Module cutting necessary	32	1,26	22	0,87
Standart, no module cutting	40	1,57	30	1,18
Module cutting necessary	48	1,89	37	1,46
Standart, no module cutting	56	2,20	45	1,77
Module cutting necessary	64	2,52	53	2,09

**Note:** Gap between flight and sidewall minimum 2-3 mm  
Gap between flight and sidewall maximum 10 mm



# EC254 Series *Engineering Information*

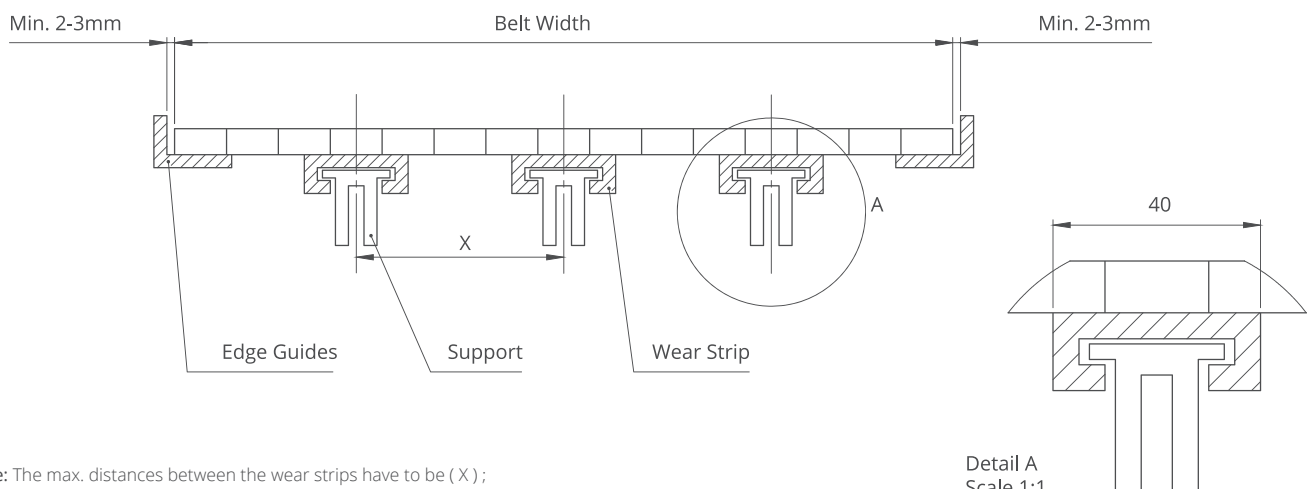


A -  $\pm 0,031''$  ( 1mm )      C -  $\pm$  ( Max. )  
 B -  $\pm 0,125''$  ( 3mm )      E -  $\pm$  ( Min. )

## EC254 Series / Conveyor Frame Dimensions

Sprockets Description			A		B		C		E		X	
Pitch Diameter		No.Teeth	Range (Bottom to Top)		In.	mm	In.	mm	In.	mm	In.	mm
In.	mm		In.	mm								
<b>EC254 C, EC254 PR%16</b>												
2,36	60	8	1,18	30	1,57	40	1,97	50	1,97	50	0,39	10
2,95	75	10	1,50	38	1,77	45	2,44	62	2,28	58	0,39	10
3,54	90	12	1,81	46	1,89	48	3,05	77,5	2,60	66	0,39	10
4,57	116	15	2,26	57,5	2,17	55	3,62	92	3,05	77,5	0,39	10
5,53	140,5	18	2,80	71	2,38	60,5	4,65	118	3,58	91	0,39	10

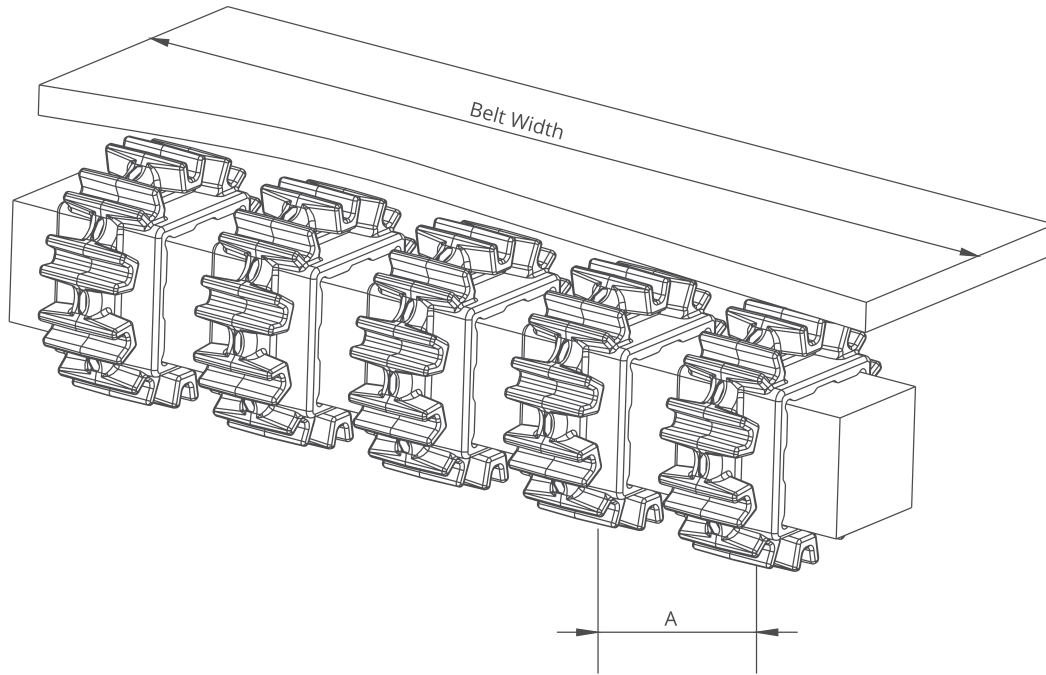
## EC254 Series / Slider Support System For Straight Running Belts



**Note:** The max. distances between the wear strips have to be ( X ) ;

125 mm for 2" belts  
 80 mm for 1" / 0.5" belts

Detail A  
 Scale 1:1



## EC254 Series / Sprockets Arrangement

Standard Belt Width		Number of sprockets per shaft		A (mm/inch)	
mm	inch	Drive Shaft	Return Shaft	Min.	Max.
152,4	6	2	2	60/2,36	170/6,6
228,6	9	2	2	60/2,36	170/6,6
304,8	12	3	2	60/2,36	170/6,6
381	15	4	3	60/2,36	170/6,6
457,2	18	5	3	60/2,36	170/6,6
533,4	21	5	3	60/2,36	170/6,6
609,6	24	6	3	60/2,36	170/6,6
685,8	27	6	4	60/2,36	170/6,6
762	30	7	4	60/2,36	170/6,6
838,2	33	7	4	60/2,36	170/6,6
914,4	36	8	4	60/2,36	170/6,6
990,6	39	8	5	60/2,36	170/6,6
1066,8	42	9	5	60/2,36	170/6,6
1143	45	9	5	60/2,36	170/6,6
1219,2	48	10	5	60/2,36	170/6,6
1295,4	51	10	6	60/2,36	170/6,6
1371,6	54	11	7	60/2,36	170/6,6
1447,8	57	11	7	60/2,36	170/6,6
1524	60	12	7	60/2,36	170/6,6
1600,2	63	12	8	60/2,36	170/6,6
1676,4	66	12	8	60/2,36	170/6,6
1752,6	69	13	8	60/2,36	170/6,6
1828,8	72	14	9	60/2,36	170/6,6
1905	75	14	9	60/2,36	170/6,6
1981,2	78	15	10	60/2,36	170/6,6
2057,4	81	15	10	60/2,36	170/6,6

Note: Number of sprockets depends on the belt load.